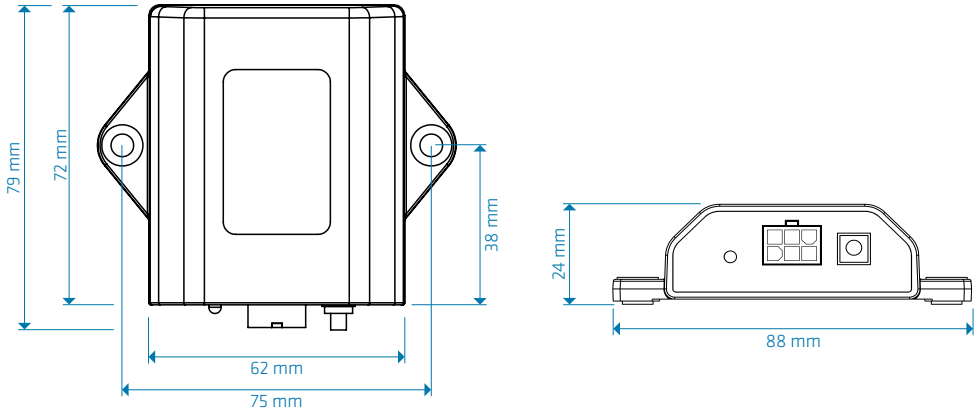


ICARUSblue[®]

SMART RADIO REMOTE CONTROLS
WITH BLUETOOTH[®] TECHNOLOGY





TECHNICAL DATA

Model name: R-BASIC

Control via: Hand-held transmitter TM600 and ICARUS blue App (iOS and Android)

Frequency: 2,4 GHz (Bluetooth 5.0)

Antenna: internal

Transmission power: +8dBm

Operating range: approx. 100m (depending on environment)

Supply voltage: 9 - 36 Vdc

Current consumption: ~ 5mA (standby 12Vdc)

Outputs: 4 (digital)

Rated current: 2,5A per output (max. 3,5A¹)

Total current: max. 10A

Weight: 136g

Housing: potted ABS housing

Temperature range: -40°C to +60°C

Optical feedback: bicolour LED (red / green)

¹ depending on temperature and load duration; software-side switch-off at internal temperature $\geq 85^\circ\text{C}$ and/or loads $\geq 3,6\text{A}$ for a duration of ≥ 1 second.



FURTHER INFORMATION:

www.icarus-blue.com

CONTACT SALES INTERNATIONAL

ICP Systems B.V.

+31 (0) 548 636 200, sales@icpgroup.nl

ICARUS blue® is a product series of the ICP Group, produced and licensed by ICP Systems B.V., Handelsweg 48, 7451 PJ Holten, The Netherlands. The ICARUS blue® word mark is a registered trademark of ICP GmbH, Manderscheidstraße 8b, 45141 Essen, Germany. The Bluetooth® word mark and logos are registered trademarks of Bluetooth SIG, Inc. and any use of these marks by ICP Systems B.V. is under license. All information is non-binding.